

# Flexure Gauges

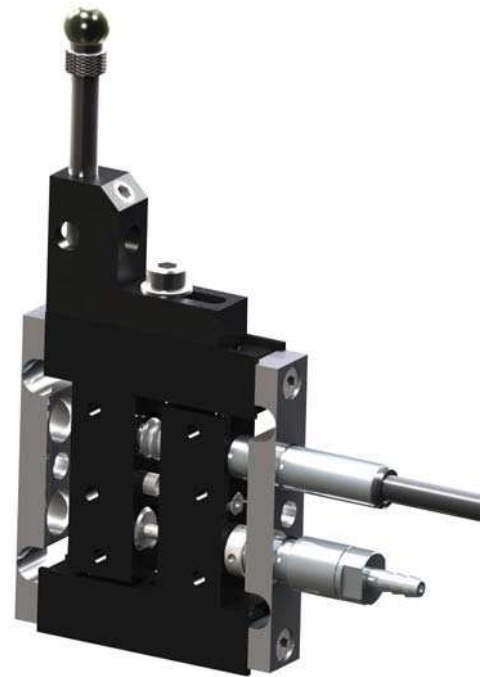
**A compact measuring device**





The Metro Flexure Gauge is a compact measuring device, which is based on a parallelogram for the ultimate in precision and long life. Motion is achieved without any friction parts, resulting in exceptional repeatability and minimal hysteresis. Under normal operating conditions the gauge has an expected life in excess of 25 million cycles.

The Flexure Gauge is available with both forward and reverse spring action. A pneumatically actuated version is available. Range stops are provided to prevent over stressing the flexure and the high stiffness in the plane normal to the measurement axis means that repeatability and life are maintained in the presence of side loads.



### *Spring Push or Pneumatic actuation*

In a conventional ‘pencil’ probe the tip pushes outwards under the influence of an internal spring. When installed in a fixture it is frequently required to design a mechanism to bring the probe into contact with the piece part being gauged.

In contrast, pneumatic operation allows the number of moving parts in a fixture to be reduced, resulting in improved reliability and reduced fixture costs. It also enables fast and safe automatic loading of components into a gauge when required.

### *Environmental protection*

The integral transducer is fitted with a Viton® gaiter, to achieve IP65 rating . Viton® is chemically inert and does not degrade when subjected to cutting fluids.

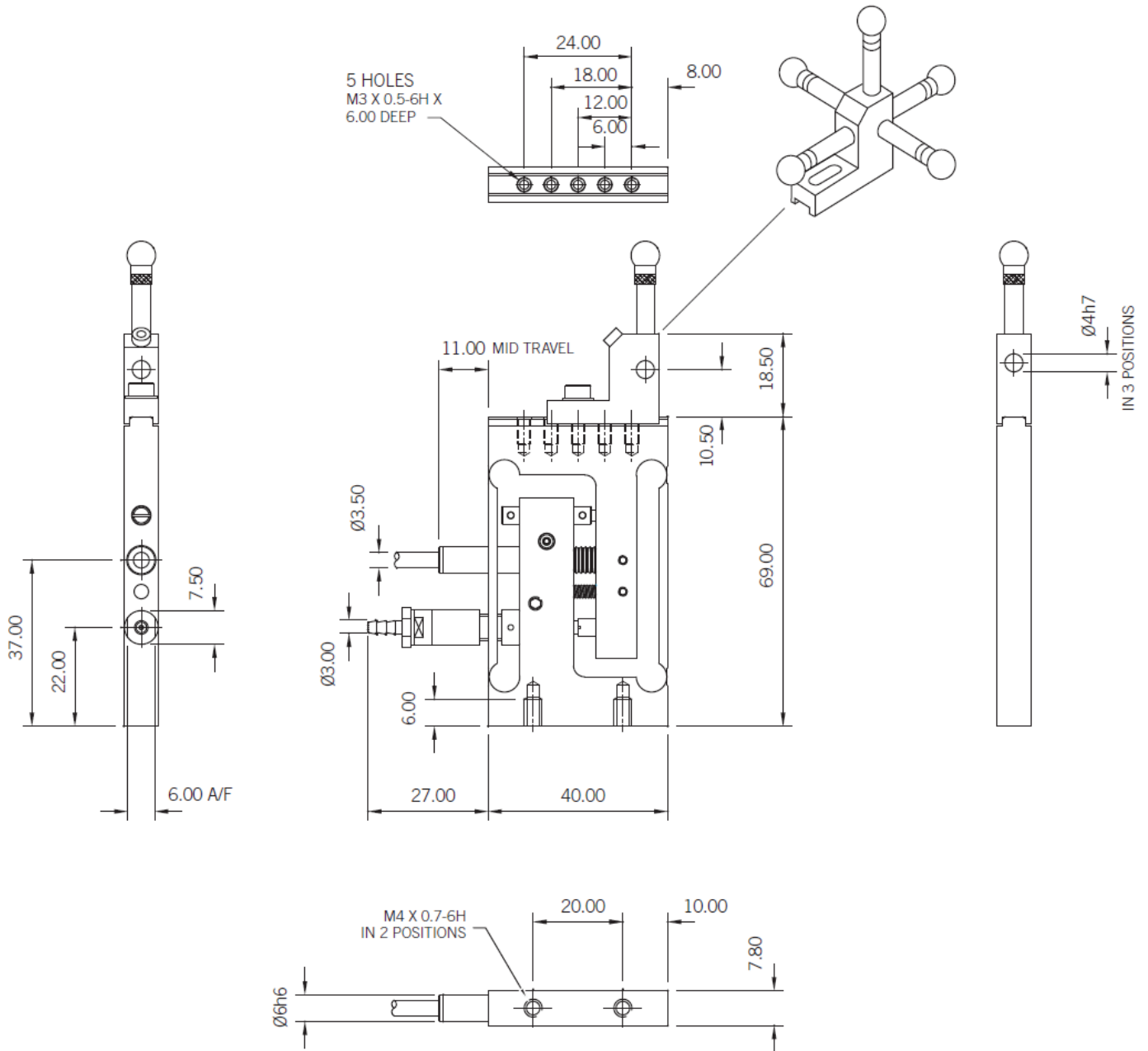
The absence of bearings makes the Flexure Gauge naturally immune from contamination and humidity.

All gauging transducer cables feature a 2m polyurethane (PUR) sheath with a foil screen layer for better electrical screening. Improved mechanical properties include reduced ‘memory’ effect and superior resistance to scuffs and cuts.

### *Characteristics*

	<i>AU / 0.5</i>	<i>AU / 1.0</i>
Mechanical travel (mm)	1.7	2.5
Measuring range (mm)	1.0	2.0
Precision	0.1	0.1
Repeatability	< 0.1 µm	< 0.1 µm
Tip force, spring push	1.5N @ center travel	1.5N @ center travel
Tip force, pneumatic	1N à mi course @ 2 bar	1N à mi course @ 2 bar
Temperature coefficient	< 0,01 % from full scale by °C	< 0,01 % from full scale by °C
Mass (including tool holder, 20mm tip holder and ball tip exluding PIE/ cable)	< 60g	< 70g
Mass tool holder	12g	12g
Materials	Aluminium and stainless steel	Aluminium and stainless steel
Pneumatic operation pressure	1.5 Bar to 2.5 Bar	1.5 Bar to 2.5 Bar
Operating temperature	5°C to +85°C	5°C to +85°C

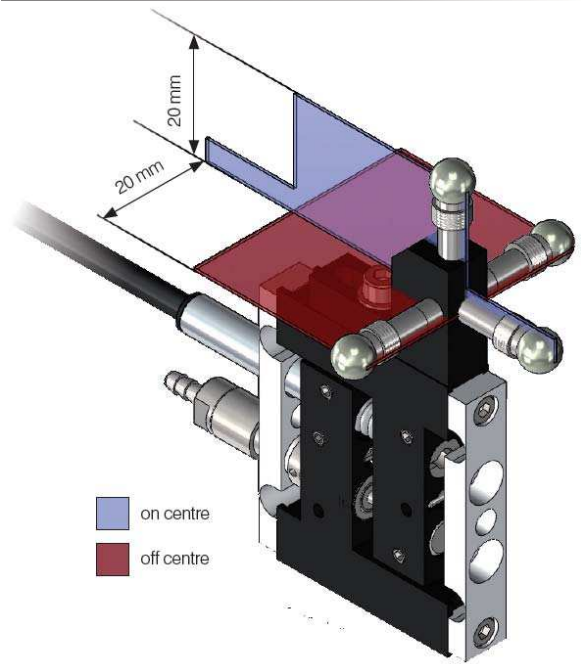
## Mechanical dimensions



## Zonal repeatability

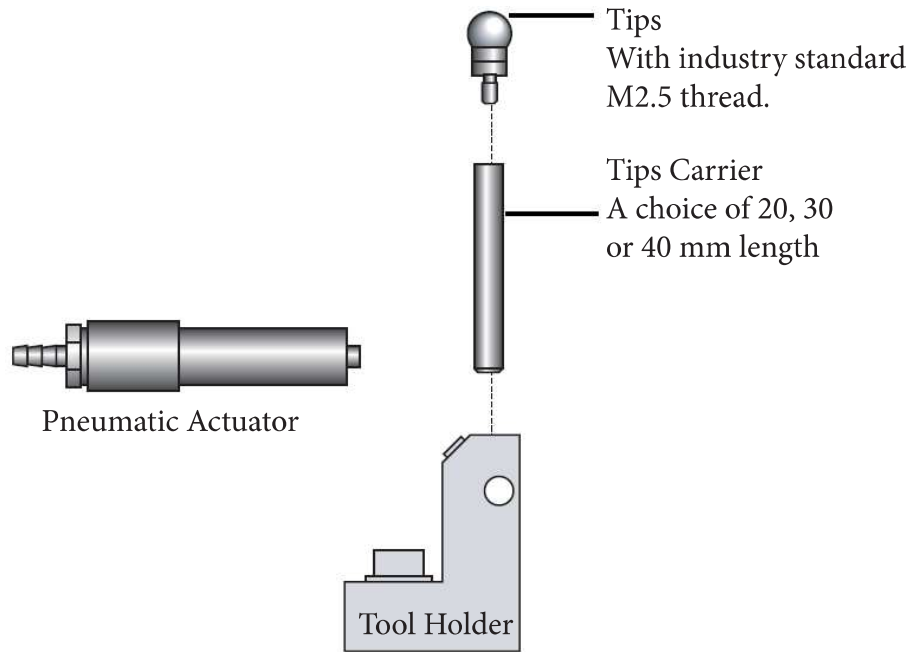
For optimal gauging performance the recommended operation is on centre. The specification is valid when using Metro standard tool holder, tip holder and tip. (Tip used is 6.35 mm TC Ball Tip)

- Repeatability on centre :  $< 0.1\mu\text{m}$
- Repeatability off centre :  $< 0.5\mu\text{m}$

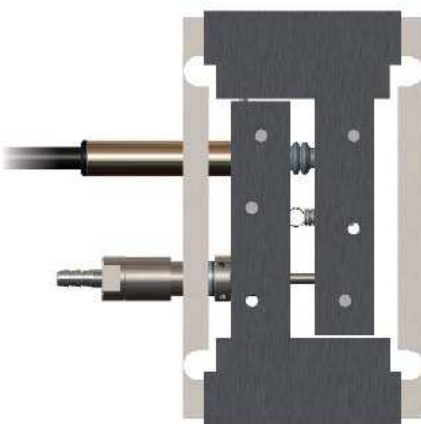
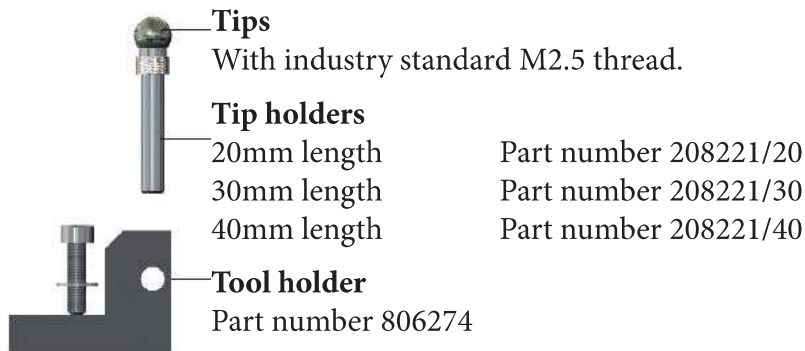


## Accessories

The Flexure Gauge is supplied without the pneumatic actuator as standard. If pneumatic operation is required, the actuator must be ordered separately.



## References



<i>Product type</i>	<i>Analogue</i>	<i>Digital</i>	<i>Analogue</i>	<i>Digital</i>
Axial cable outlet	+/- 5mm	1mm	+/- 1mm	2mm
Forward spring	AU/0.5/SH	DU/1/S	AU/1.0/SH	DU/2/S
Reverse spring	AU/0.5/RH	DU/1/R	AU/1.0/RH	DU/2/R
Reverse spring pneumatic	AU/0.5/PH	DU/1/P	AU/1.0/PH	DU/2/P
Radial cable outlet				
Forward spring	AUR/0.5/SH	DUR/1/S	AUR/1.0/SH	DUR/2/S
Reverse spring	AUR/0.5/RH	DUR/1/R	AUR/1.0/RH	DUR/2/R
Reverse spring pneumatic	AUR/0.5/PH	DUR/1/P	AUR/1.0/PH	DUR/2/P



Metro  
Rue de la Jonchère  
74420 Boège  
France

Phone. +33(0)4-50-39-08-49  
Fax. +33(0)4-50-39-08-33  
E-mail : [info@metro-fr.com](mailto:info@metro-fr.com)  
Web : <http://www.metro-fr.com>

Your distributor

FGEN1000212

This document is not contractual and contains information corresponding to the level of technology at the date of printing. Metro reserves the right to modify and/or improve the product, whose characteristics are described in these documents, as required by new technology at any time. It is the purchaser's responsibility to inform himself, no matter what the circumstances, of the product's maintenance conditions and requirements. Metro reserves all rights, especially those arising from our "General Delivery Conditions".